

Osaki



User Handbook
OS-Apollo

TROUBLE SHOOTING

•The massage ball is stopped during the use.

- When put big force on the massage ball, it will stop automatically for safety.
- Turn off the organism power and turn on it 10 seconds later.
- Do not learn on the cushion back with big force.

•The product does not work.

- Please make sure weather the power plug is good.
- Please make sure the organism power is turned off.
- Press the power of the remote controller in automatic mode or manual mode.

•The organization function of the figure pressure does not work.

- Adjust the posture and then press the action button.

•The cushion back and foot massager do not return back to the original position.

- The massage chair can not stand when meeting strange articles or because the foot massager is too long and touch the ground. Please adjust the length of the foot and then operate it again.

•There is something wrong with the products.

•There is still something strange after checking.

Please stop using.

TROUBLE SHOOTING

● **Before applying for A/S, please check the following items:**

The products have no obstacles. But they will not operate for unfamiliar using and so on. If there are problems existed after checking the following items, please contact the service after sales

Operation sound:

- The friction sound of the wheel and the clothing.
- The motor has sound when loading.
- There is sound in the action of the massage ball.
- The sound is loud when knocking
- The sound existed when sitting on.
- The sound existed in the gas pump of the massage chair.
- There is abnormal sound with the leg massager.
- The sound existed when opening and closing the power switch.



●If the sound has no effect on the normal movement of the product, it can not be considered as the obstacle.

●The left and right position of the massage chair are not passed through.



●It can not be strange when it is for the need of knocking and the design of the product.

●If the movement of the massage chair is stopped suddenly, the massage ball will return back to the initial position.



●Automatic time: 15-minute shut down program.

CONTENTS

Please read and follow all safety and operating instructions listed in this user manual before using. In order to use it in a right way, please store the user manual appropriately for further reading later.

| | | |
|------------------------|-------|----|
| Safety Instructions | | 2 |
| Product Specifications | | 4 |
| Product Components | | 5 |
| Chair Installation | | 7 |
| Before Use | | 9 |
| Remote Controller | | 10 |
| Operation Guide | | 11 |
| Maintenance | | 15 |
| Trouble Shooting | | 16 |

SAFETY INSTRUCTION

Warning!

Prior to using the chair please read all the operational and safety guidelines.

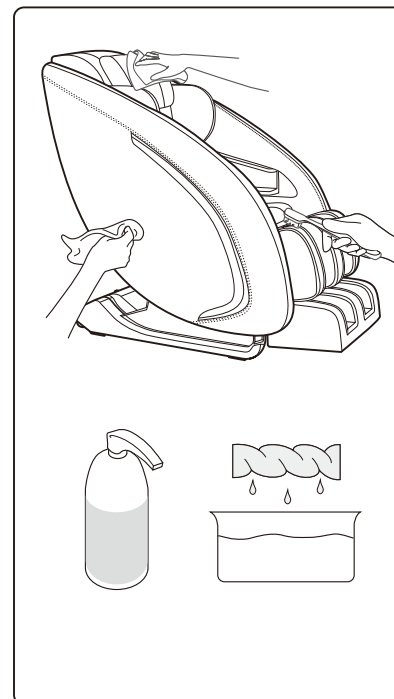
The plug must be fully inserted into an appropriate outlet.

Failure to do may lead to serious injury and electrical shock.

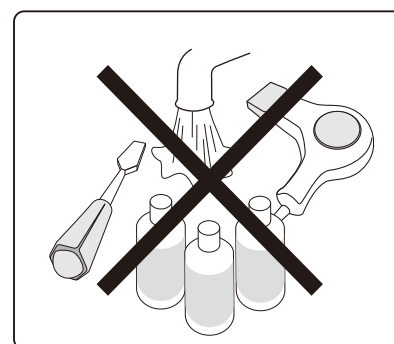
Do not modify the plug or remove the ground which may damage the chair.

1. please ensure that the plug is inserted into the proper outlet
2. Make sure that the power plug is securely inserted into the proper outlet to reduce the risk of short circuits and fires
3. Pull out the plug from the chair before cleaning or after using.
4. Please don't use it unber high humidity environment.
5. Do not place this chair near or in areas with high temperature.
6. please make your swith poin to "o", pull the plug out of the socket when power off in case of any damage.
7. Do use this chair if you see damage to the power cord or if you see any moisture oin the chair or cord.
8. If you have any health conditions or are handicapped please consult with your physician if you can use this product.
9. No children under 18 should use this product unless your doctor recommends its.
10. Do not sleep in this chair while getting a massage to avoid any physical injury.
11. Do not use this chair more than 20minutes a day. Monitor your conditon daily for any muscle or body pain. if you find the there is pain or discomfort please refrain from using the chair and see your doctor.
12. Do not pull on the power cable, this may cause electrical damage.
13. Do not stand on the chair or apply acceding weight on the armrests.
14. When moving the chair please follow the instructions to avoid structural damage.
15. When using the chair please be sure there are no children or pet(s) nearby, behind of front of the chair. when the chair is in motion the chair may seriously injure the pet(s) or children
16. Do not modfiy or work on the chair which will void your warranty. Only professional and approved technicians should work on this chair.
17. This chair is for personal use only and should not be used for commercial using.

MAINTENANCE



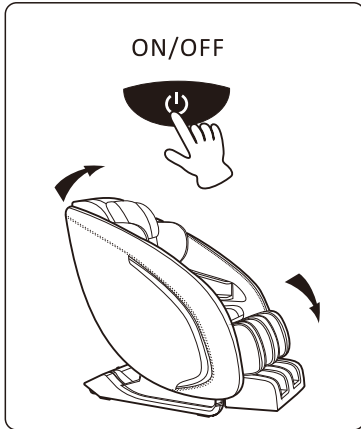
- Unplug the power plug before cleaning.
- DO NOT pour any liquids directly to the chair. Spray or dampen the cleaning cloth.
- Use a non- toxic cleaner and dry cloth to clean the chair.
- Be sure the chair is completely dry before plugging the power plug into the outlet.
- Do NOT use any drying machines to dry the areas cleaned. Only air dry to avoid any damage to the chair.
- Do NOT use any product which contain benzene or alcohol to clean the chair.



OPERATION GUIDE

SAFETY INSTRUCTION

4 After use

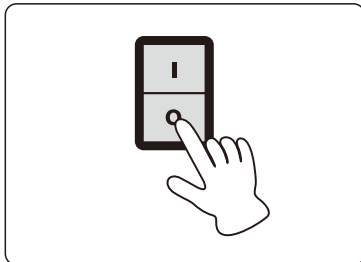


1. After the massage program is completed, please press the switch button, the massage chair will be automatically recover.
 - Please check surrounding area prior to adjusting the recline angle, paying special attention to children or pets that may be in close proximity.
 - Please make sure your arms and legs are away from gaps between the armrest, legrest, and footrest, to prevent any possible pinching or injury.

2. Press the power button to power off the massage chair and return remote controller to the storage box.

3. Turn off the main power switch.

4. Remove plug from power outlet.
 - * Please do not pull on the power cord to remove the plug.
 - * Please do not unplug with wet hands.



18. Always check whether the surface of the massage chair is torn or ripped before usage, if you find any unfamiliar rips in any area of the cloth in the backrest, do not use the massage chair, kindly contact the service centre immediately for repairs.
19. This appliance is designed for household use only.
20. For those suffering from illnesses, please consult your doctor for advice prior to use.
21. Please do NOT use if you have a heart condition or have a pacemaker.
22. If you experience pain during usage, stop using the massage chair immediately, if any injuries occur, seek medical treatment immediately.
23. Never massage the swollen or inflamed parts of the body.
24. This product is non-professional appliance designed to provide a comfortable massage. Do not use this product as substitute for medical treatment.
25. Each massage session should not exceed 30 minutes. Massage the targeted area only for 15 minutes, Over-massaging can lead to overheating, thus giving the appliance a shorter lifespan.
26. Do not operate where aerosol(spray) products are used or where oxygen is being administered
27. The massage chair is not suitable for children aged 12 and below.

NOTE:

This appliance is not intended for use by persons (including children) with reduced physical sensory or mental capabilities, or lack of experience and knowledge, unless they have been given supervision or instruction concerning use of the appliance by a person responsible for their safety.

Children should be supervised to ensure that they do not play with the appliance.

If the supply cord is damaged, it must be replaced by a special cord or assembly available from the manufacturer or its service agent.

The appliance heats up during operation. persons sensitive to heat must take extra caution when using the appliance.

PRODUCT SPECIFICATIONS

| Description | Specifications |
|-------------------------|----------------------|
| Product Name | Massage Chair |
| Model No. | OS-Apollo |
| Rated Voltage | 110-120V~ |
| Rated Frequency | 50/60Hz |
| Rated Power Consumption | 230W |
| Dimension (LxWxH) | 1502mmx812mmx1200mm |
| Weight | Net weight:98.5kg |
| | Gross weight:115.5kg |

OPERATION GUIDE

Manual mode



Modes Of Manual-POINT: This button allow you to choose the most desirable personal massage program such as Kneading Point -> Tapping Point -> Dual Point -> Shiatsu Point -> Massage Point -> Off.



Modes Of Manual-WHOLE: This button allow you to choose the most desirable personal massage program such as Kneading Whole -> Tapping Whole -> Dual Whole -> Shiatsu Whole -> Massage Whole -> Off.



Speed: Tapping & Kneading & Dual Action & Shiatsu & foot Roller & Calf Kneading Speed adjustment (3 levels)



Press this button to adjust the width of 2 roller, Three levels is adjustable.



Roller Location Adjustment: Hold the up or down arrow to move the massage rollers to the desired location.



Pressure massage position button. Each time you press this button, there will be a spot flashing in screen, which means that part will be massaged. Press the button continued, there will be different parts of the combination of massage.




This button allows you to control the intensity of the air bag on 3 different intensity levels.





Switch on/off for back heating function.

OPERATION GUIDE


3 Function description of Controller buttons.

 : Press once to power on the massage chair, press again to power off.


 : Press to temporarily pause the massage, chair will enter idle mode. Press again to resume massage.

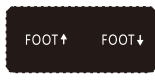
 Timer Button: The massage chair is preprogrammed at an optimal 15 minute time period. Press once to increase by 5 minutes in the following sequence: 15 -> 20->25->30->5->10->15.

Position adjustment area:

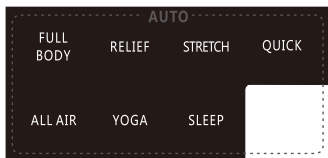
 : Press the button first, massage back and leg position to zero G1, press second, the position to zero G2, press third, the position to zero G3, press fourth, massage chair return to original position.

Zero G1 -> Zero G2 -> Zero G3 -> Original Position.

 : Press the button and hold on to adjust the massaging position of backrest or legrest.

 : Press the button and hold on to adjust the footrest independently.

Auto mode:



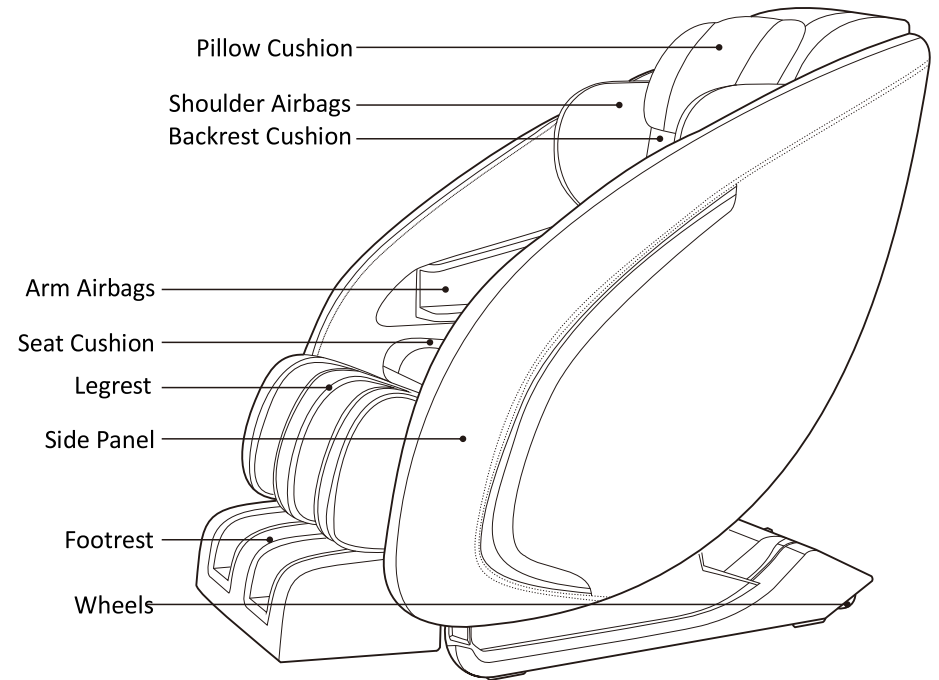
This chair design with 7 sets of auto massage program for different time and people to use.

FULL BODY - RELIEF - STRETCH - QUICK
 FULL AIR - YOGA - SLEEP

- When you use it continuously, Please have 10 minutes of rest in order not to add burden to the body.

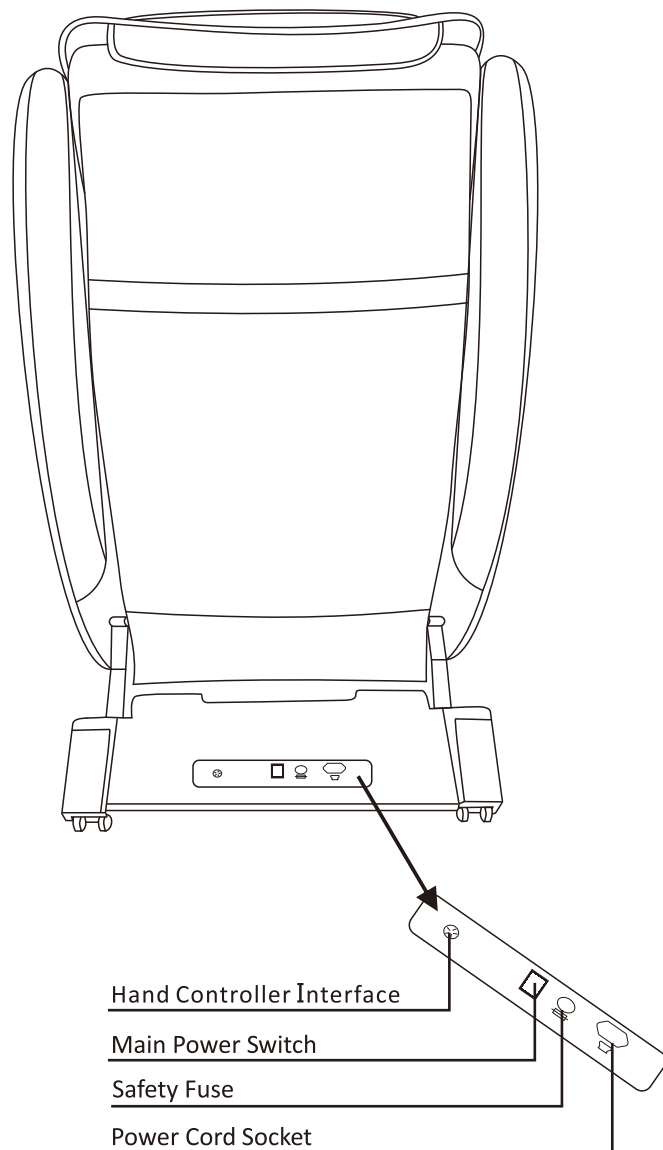
PRODUCT COMPONENTS

Main Body Diagram (Front)



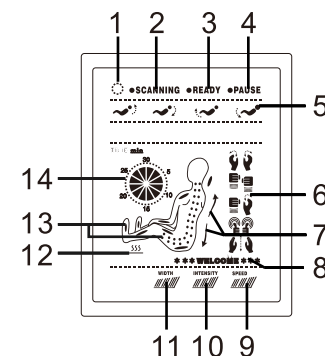
PRODUCT COMPONENTS

Main Body Diagram (Rear)



OPERATION GUIDE

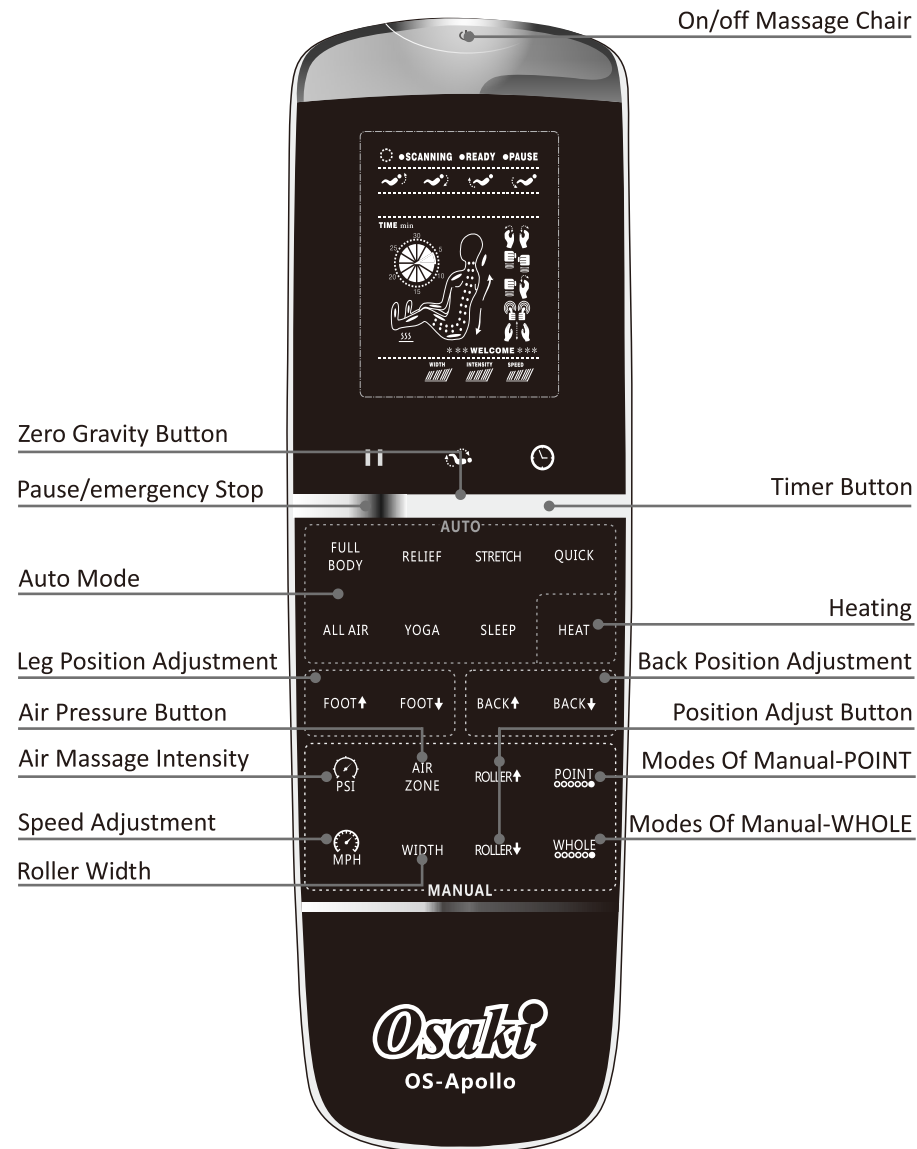
2 Display Diagram



1. Massage chair is powered on.
2. Massage chair is scanning the back contour and preparing for initiation.
3. Scanning is complete and ready for massage programs.
4. Pause button has been pressed and chair is temporarily stopped.
5. Reclining position adjustment buttons are pressed and the backrest and /or legrest are moving.
6. Displays which massage technique is activated at the time.
7. Depicts the direction of the massage rollers, moving upwards or downwards.
8. Cheerful greeting from your massage chair.
9. Shows the massage speed level.
10. Shows the air intensity level.
11. Shows massage roller width.
12. Heating function is on.
13. Displays the location of massage rollers and active air bags.
14. Depicts time remaining in current massage program.

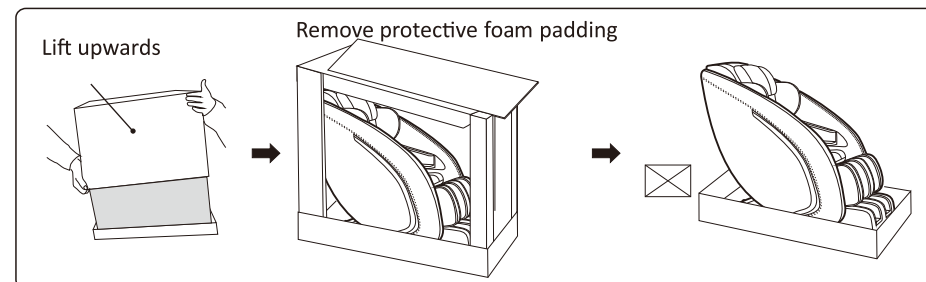
REMOTE CONTROLLER

1 Remote Controller



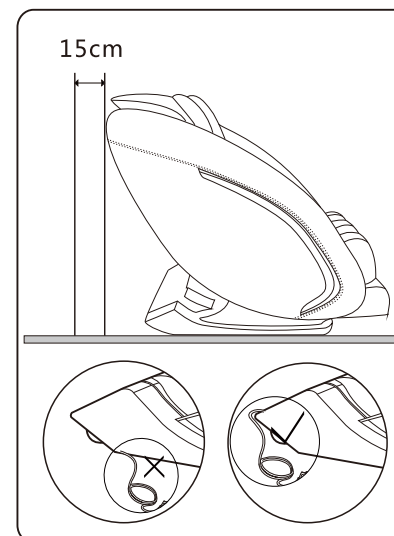
CHAIR INSTALLATION

1. Remove the package and get out the spare parts



- 1) Remove the carton.
- 2) Take out the foam.
- 3) The spare parts include: remote control, user manual, power cord.

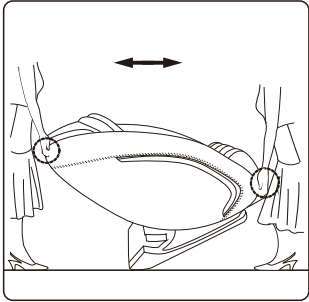
2. Place the massage chair in an open area



- Allow sufficient space around the chair for recline purposes. 15cm distance for the back side and 50cm in front of the footrest.
- *In order to avoid the damage of the floor and to reduce the noise, please put area rug under the massage chair.**
- *Make sure that there are no barriers in front and the back of the massage chair.**
- *Please do not put it in wet or uneven floor.**
- *To avoid signal interference, please place it 4 feet away from AV,TV, and radio.**

CHAIR INSTALLATION

3. Moving the massage chair



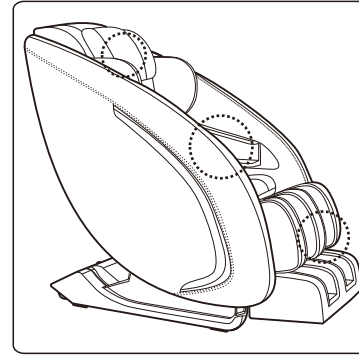
1. As illustrated, push the backrest downwards and tilt chair on to its wheels at a 45° angle. Slowly push and maneuver the massage chair to desired location. Lower massage chair slowly and smoothly until it is fully flat on the ground.

- * Do not move massage chair when occupied or in use.
- * Moving the massage chair may cause damage to floors. Floor protection is recommended (e.g. rugs, carpet).
- * Do not drop or suddenly let go of the chair when moving as it may damage the chair.
- * Two person participation is recommended. Please use extra care when handling the massage chair.

BEFORE USE

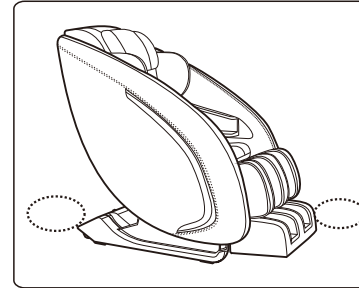
1. Make sure that the product is good

- Confirm that headrest and backrest pad are normal
- Confirm that the power plug is normal
- Make sure whether the footrest is erect. (if it is under the horizontal surface, when you sit on the chair and exert big force the chair will be damaged)



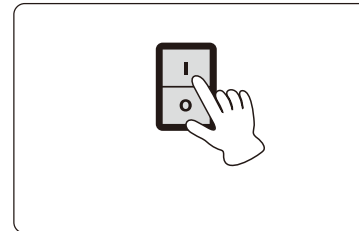
2. Confirm the surrounding environment

- Make sure whether there are no barriers around the massage chair



3. Connect the power of the chair

- Connect the power line
- Turn on the power switch on the right side of the chair



4. Adjusting the position of the headrest when using

- Adjust the under-part position of the headrest and make the position of the ear and it on the same horizontal plane.

